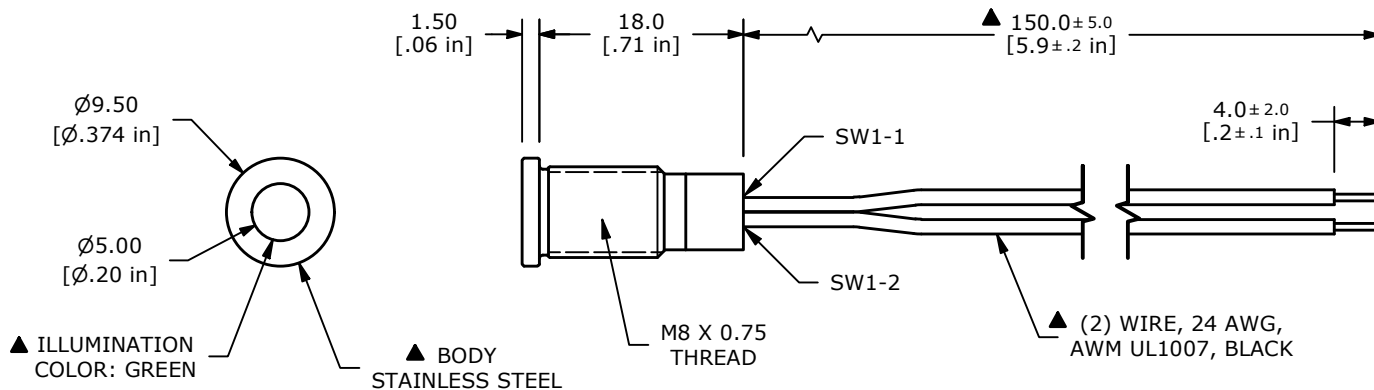
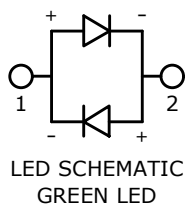
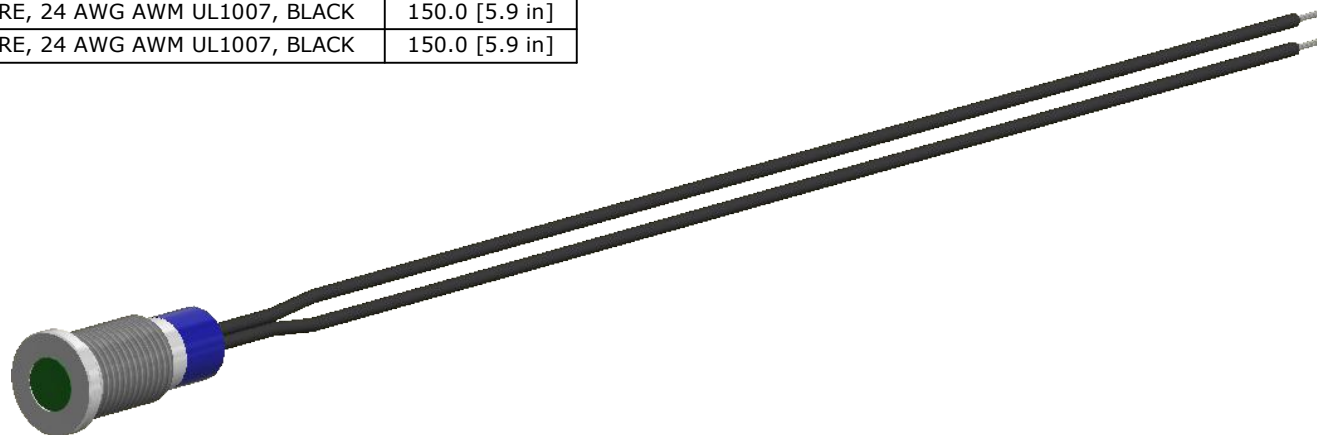
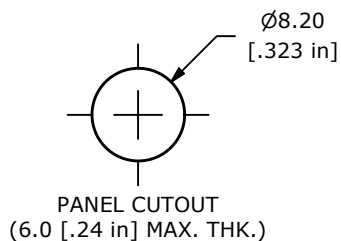


ADAPTER	WIRE	LENGTH
SW1-1	WIRE, 24 AWG AWM UL1007, BLACK	150.0 [5.9 in]
SW1-2	WIRE, 24 AWG AWM UL1007, BLACK	150.0 [5.9 in]



NOTE:

1. ALL DIMENSIONS IN MM [INCH]
2. GENERAL TOLERANCE: X.X = ±0.4
X.XX = ±0.25
3. TERMINAL NUMBERS FOR REF ONLY
4. OPERATING TEMP: -25°C to 55°C
5. CURRENT RATING: 2mA-20mA
- ▲ 6. LAMP VOLTAGE: 2.8V
7. IP RATING: IP67
8. ▲ DENOTES CRITICAL PARAMETER.
9. HARDWARE SUPPLIED: O-RING AND HEXNUT



A	24259	RELEASE	4/14/20	MW
REV	PCR NO	DESCRIPTION	DATE	BY

TITLE PVL08FWS31				
SCALE 3:2	DATE 4/14/2020	DR MW	DWG 52-PVL08FWS31	REV A

THE INFORMATION CONTAINED IN THIS DOCUMENT IS PROPRIETARY TO E-SWITCH AND IS NOT TO BE COPIED OR TRANSFERRED